

SECTION II - DESCRIPTION

IC201

SCHEMATHEEK
Beh. T. Hultermans
Postbus 4228
5604 EE Eindhoven



The ICOM IC-201 transceiver for 2m Band is a precision built high performance transceiver, providing SSB (USB and LSB), FM and CW modes of operation with an output power of 10 watts.

This is an extremely durable transceiver which has state of the art devices such as integrated circuits, field effect transistors, varactor and zener diodes engineered into a tight knit straight forward electronic design throughout both transmitter and receiver. Reliability, low current demand, compactness and ease of operation are the net result.

SECTION I - SPECIFICATIONS

10519201

GENERAL:

Frequency Coverage	144.00 to 146.00 MHz
Number of Solid State Devices	Transistors 53 FET 16 IC 10 Diode 66
Modes	SSB (A3J), FM (F3), CW (A1)
Supply Voltage	DC 13.8V ± 15% AC 117V or 220V ± 10% (IC-3PU)
Current Drain	Transmit: A3J (PEP 10W) 2.3A A1, F3 2.8A Receive: Max output 0.9A
Antenna Input	50ohms Unbalanced
Frequency Stability	Less than ±2KHz at -10°C to +60°C
Size	111 (H) x 230 (W) x 260 (D) mm
Weight	5.4 Kg

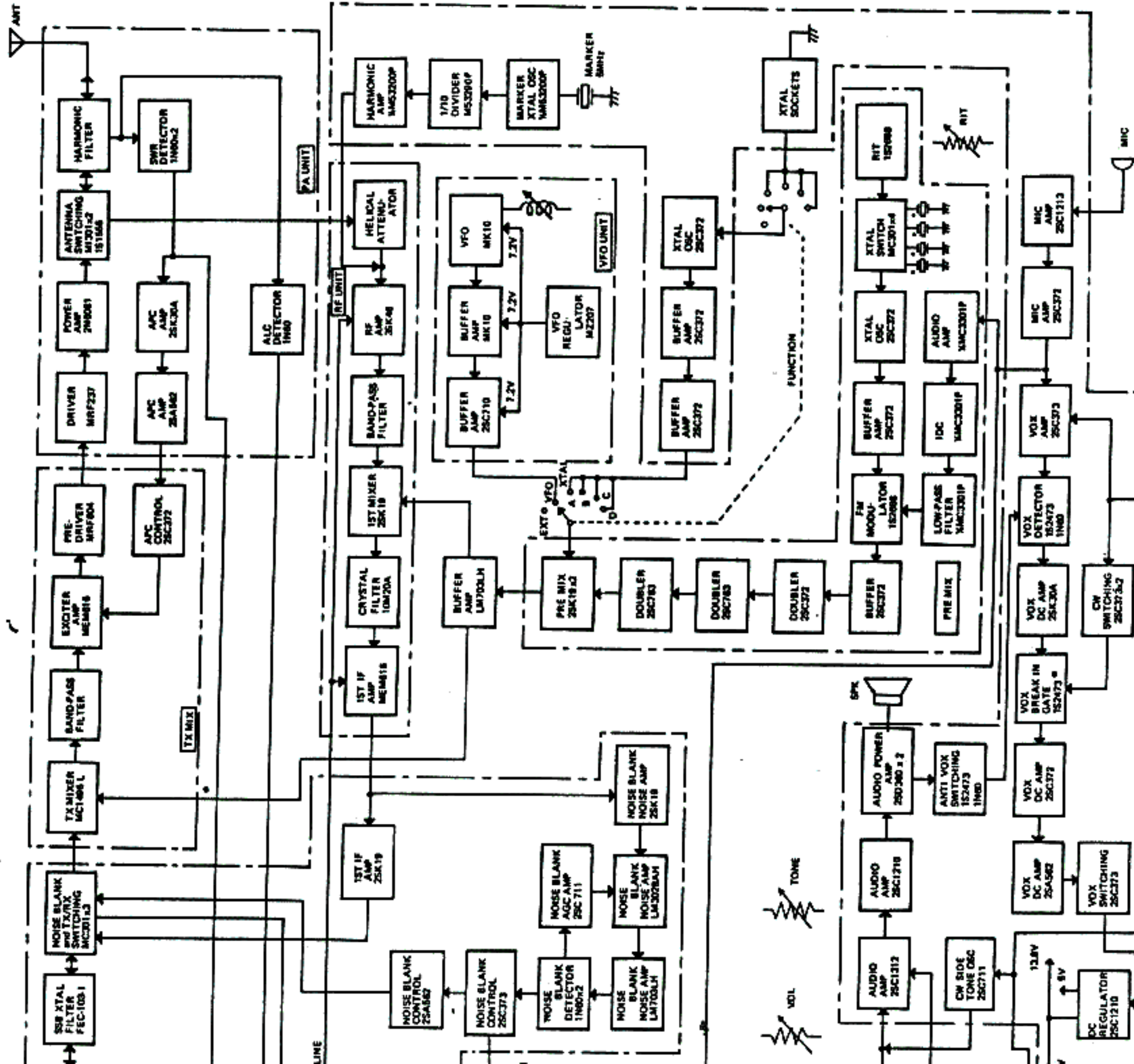
5604 EE Eindhoven
Postbus 4228
Beh. T. Hultermans
SCHEMATHEEK

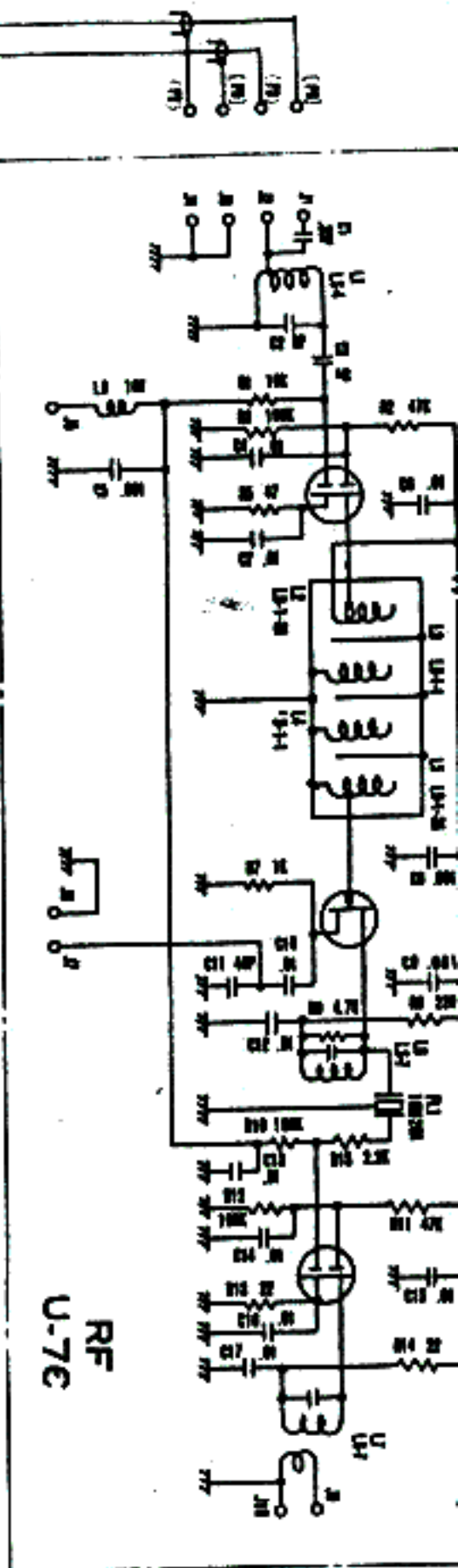
TRANSMITTER:

Frequency Range	144.00 to 146.00 MHz VFO control with 4 fixed channels (11.385 to 12.385 MHz)
Modes	A3J (USB, LSB) A1, F3
TX Output	A3J 10W (PEP) A1, F3 10W
Carrier Suppression	40 dB or better
Side Band Suppression	40 dB or better/1KHz Mod (A3J)
Spurious Radiation	-60dB or less
Modulation System	A3J Balanced Modulation F3 Variable Reactance Phase Modulation
SSB Generation System	Filter Type
CW Keying System	Bias control (with monitor)
Maximum Frequency Deviation	± 15 KHz (adjusted to ±5KHz)
Microphone Impedance	500 ohms

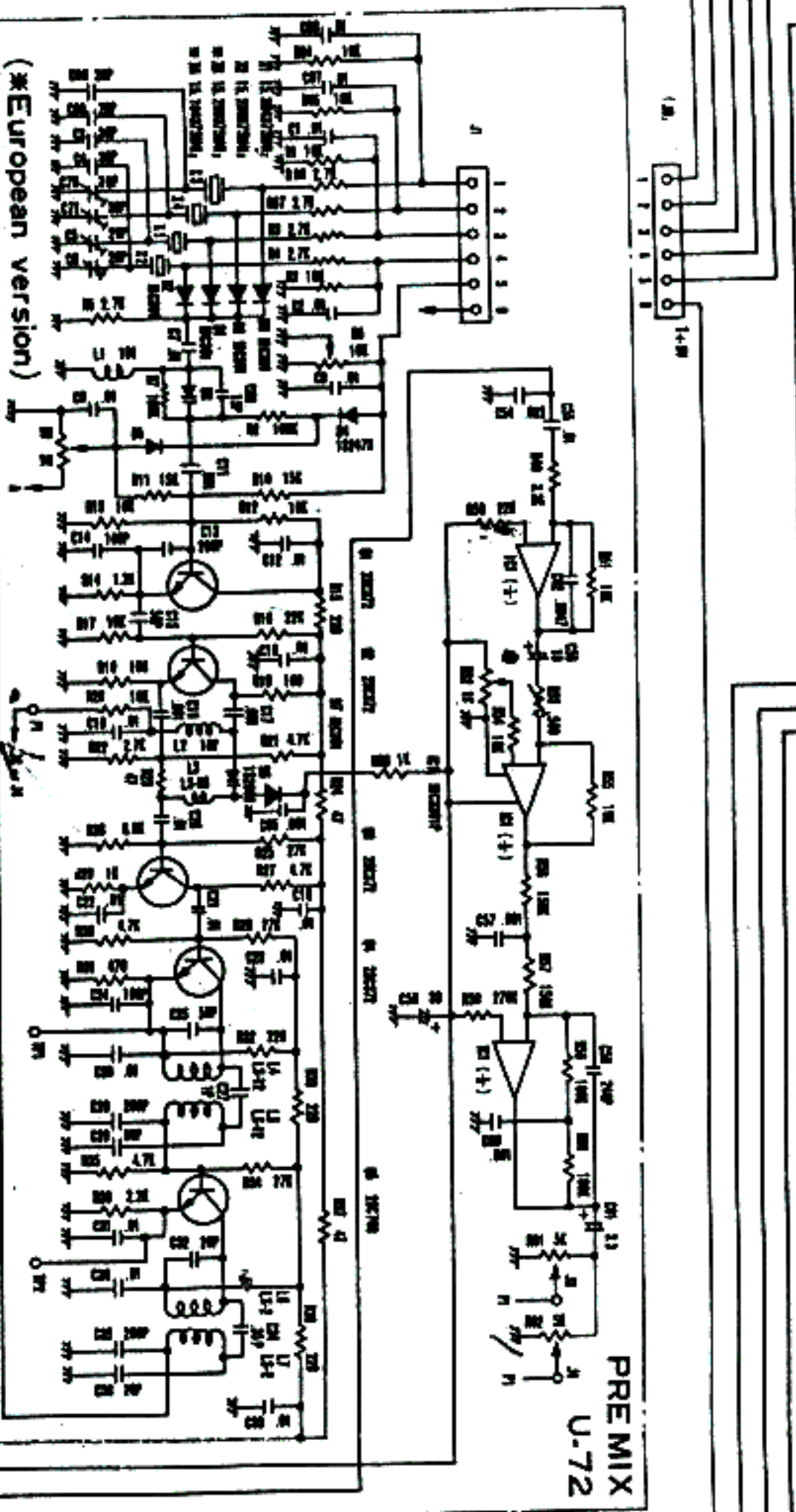
RECEIVER:

SCHEMATHEEK
 Beh. T. Hultermans
 Postbus 4228
 5604 EE Eindhoven

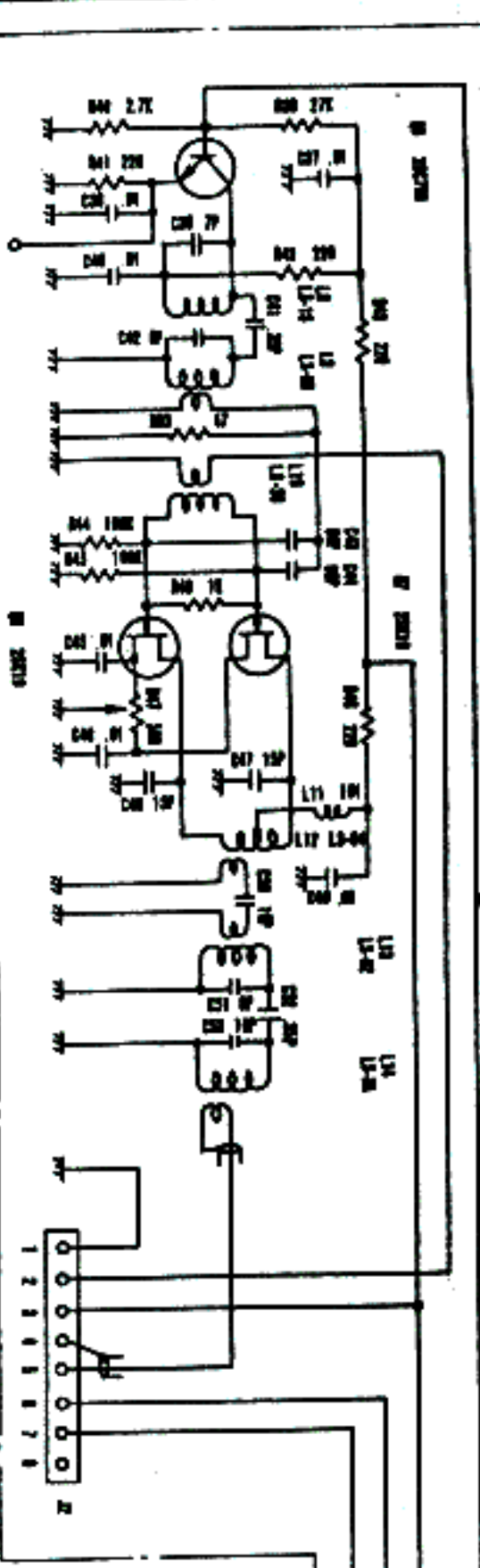




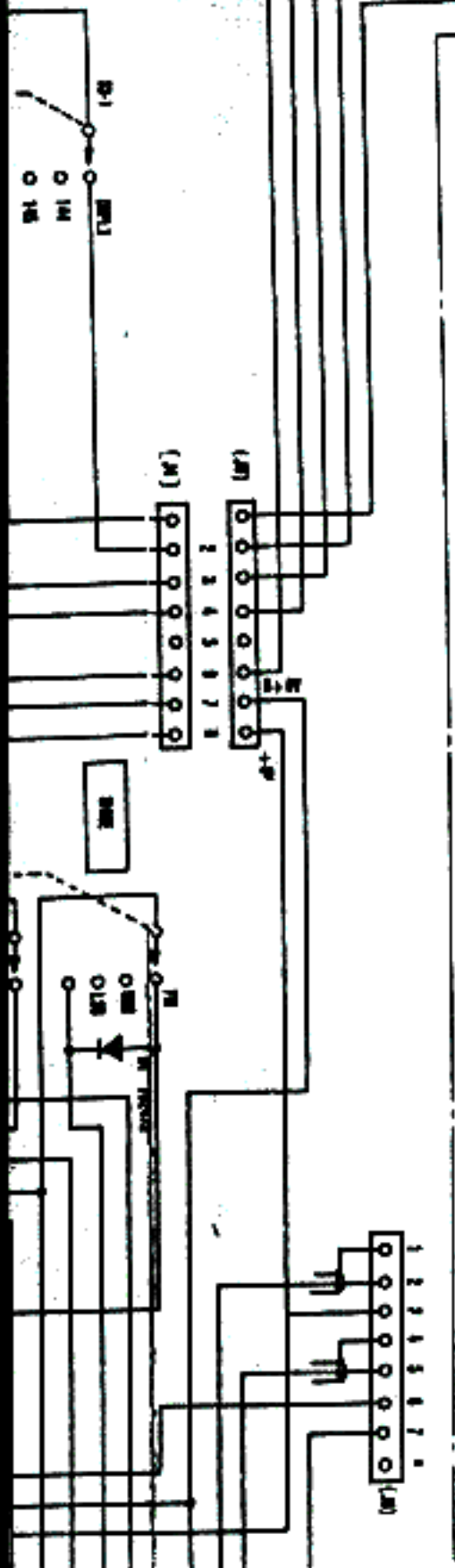
RF
U-7C



PRE MIX
U-72



(*European version)



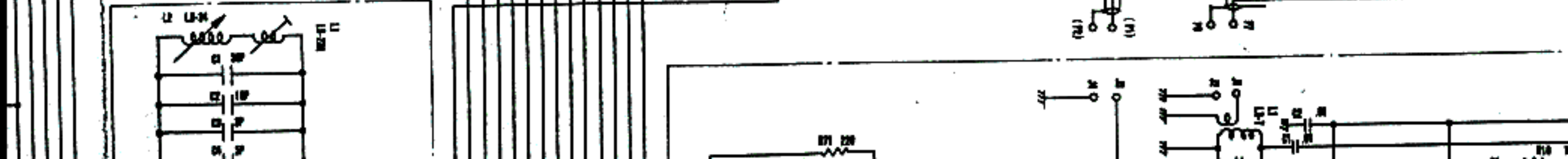
0 1M
0 1M

1 2 3 4 5 6 7 8

1 2 3 4 5 6 7 8

1 2 3 4 5 6 7 8

1 2 3 4 5 6 7 8



U1-U2

U1-U2

U1-U2

U1-U2

U1-U2

U1-U2

U1-U2

U1-U2

U1-U2

U1-U2

U1-U2

U1-U2

U1-U2

U1-U2

U1-U2

U1-U2

U1-U2

U1-U2

U1-U2

U1-U2

U1-U2

U1-U2

U1-U2

U1-U2

U1-U2

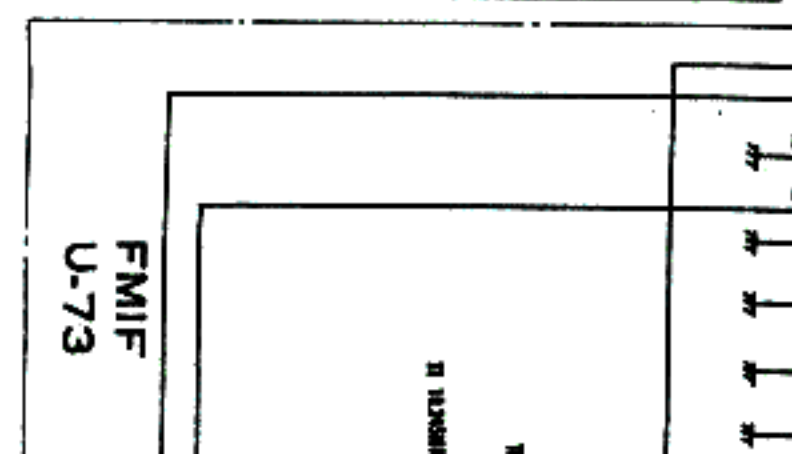
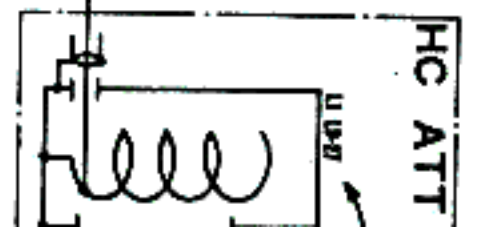
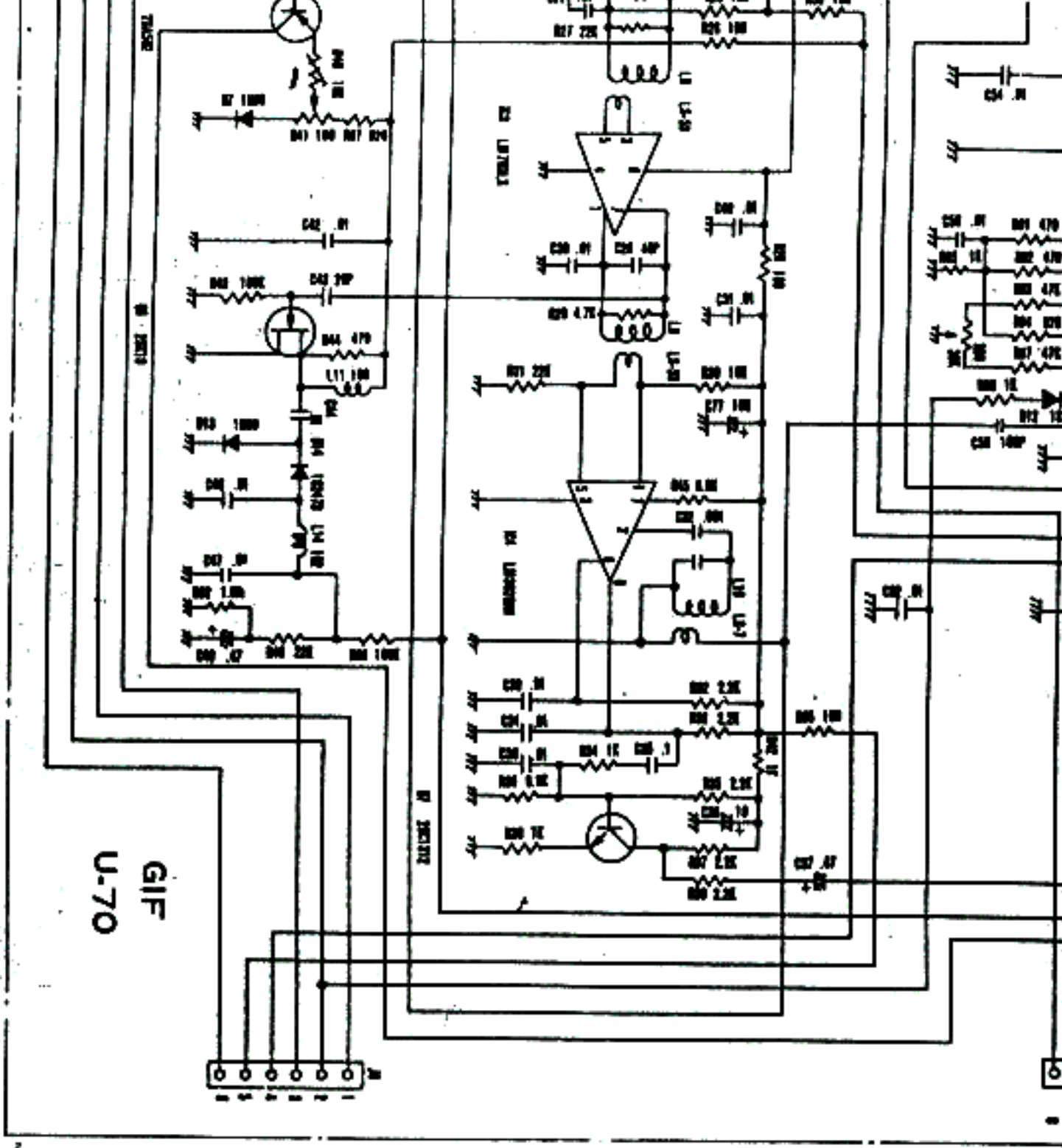
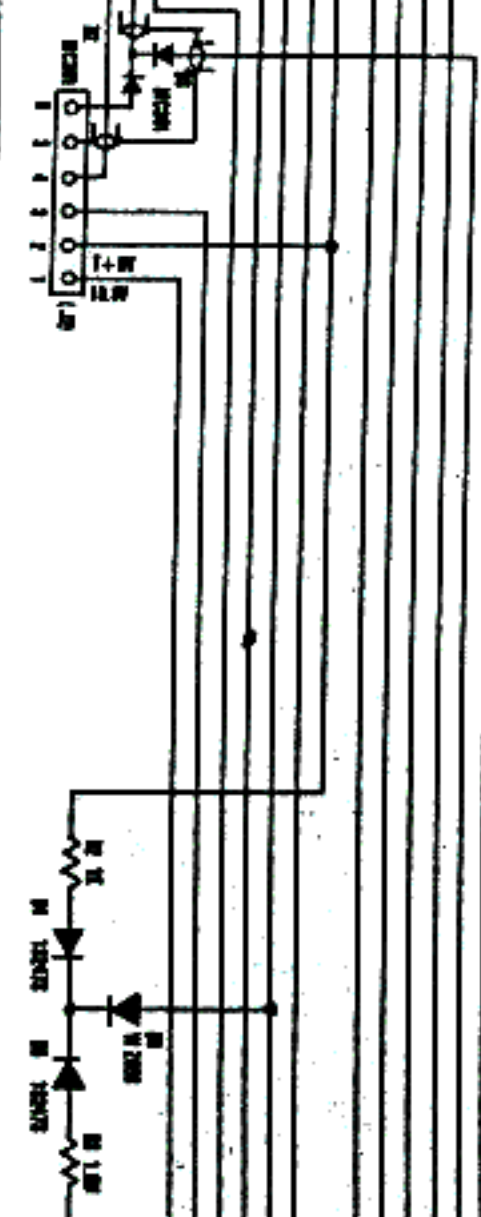
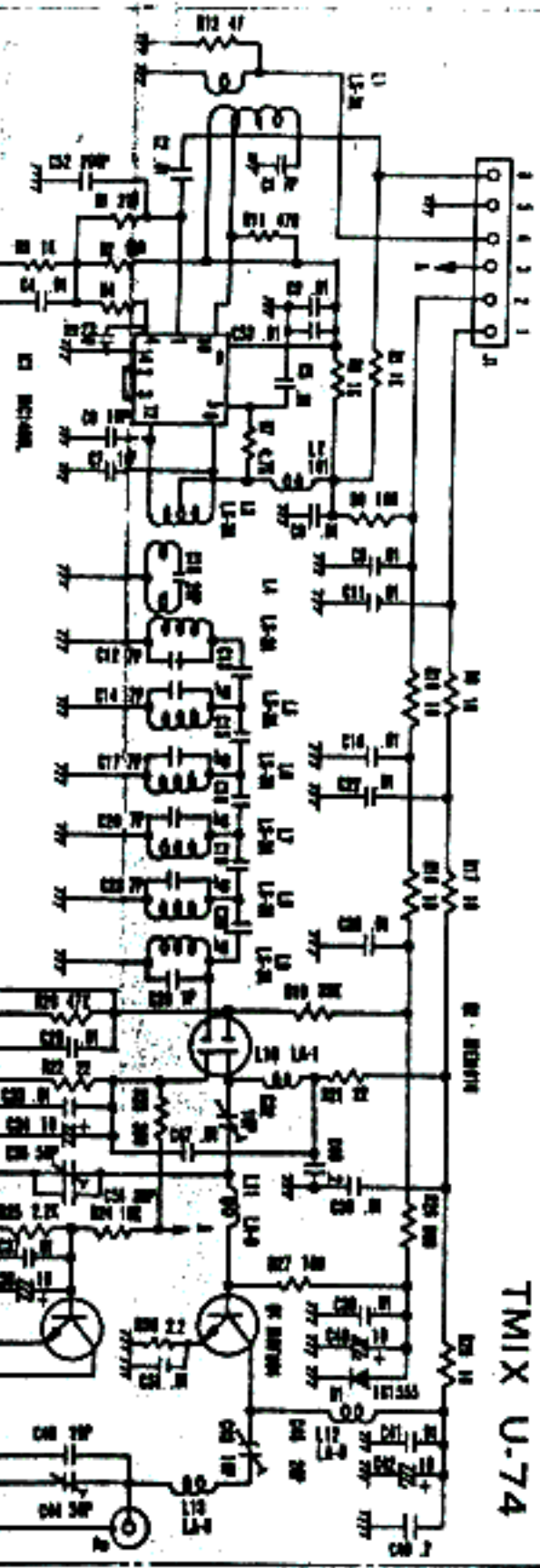
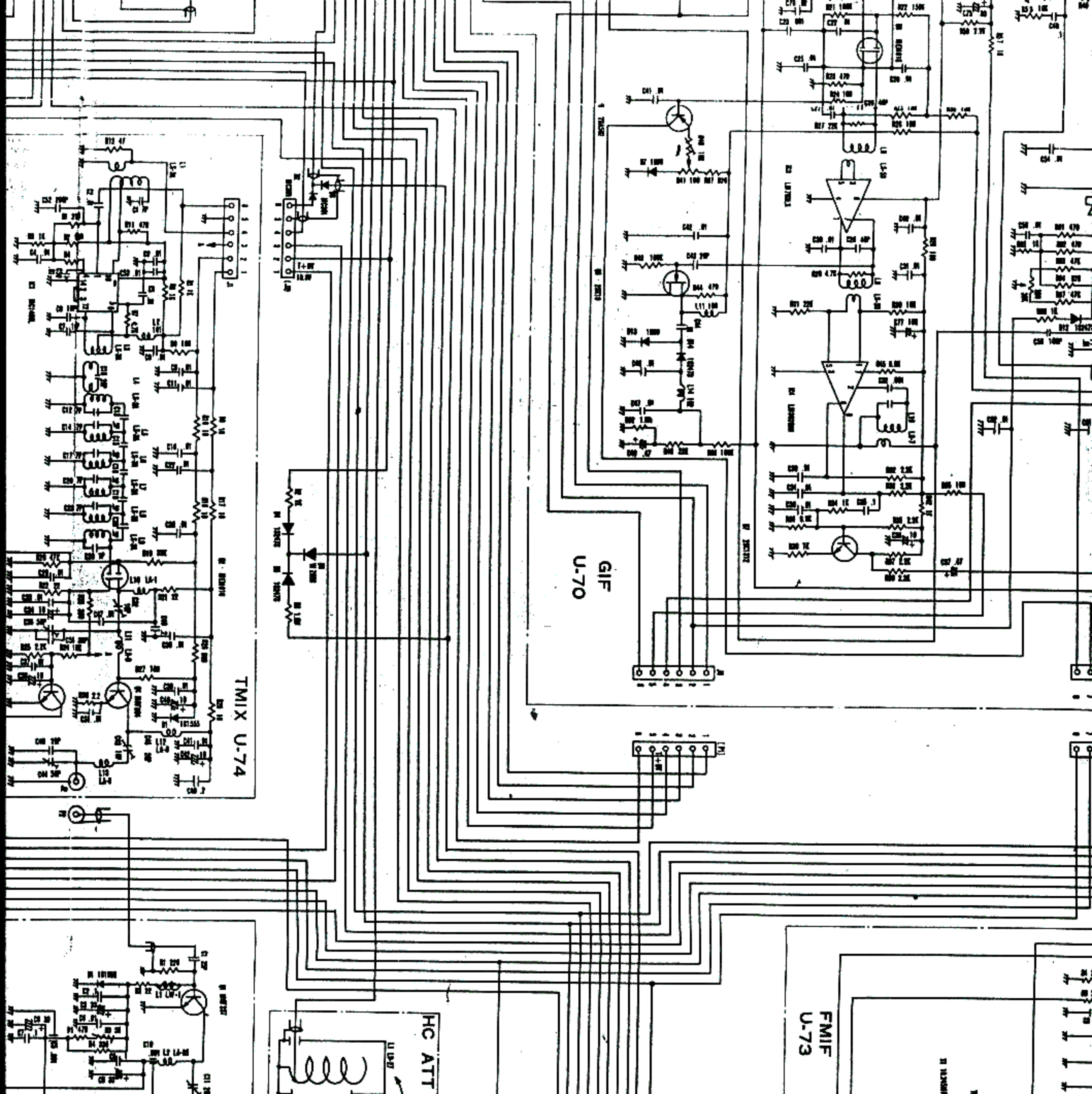
U1-U2

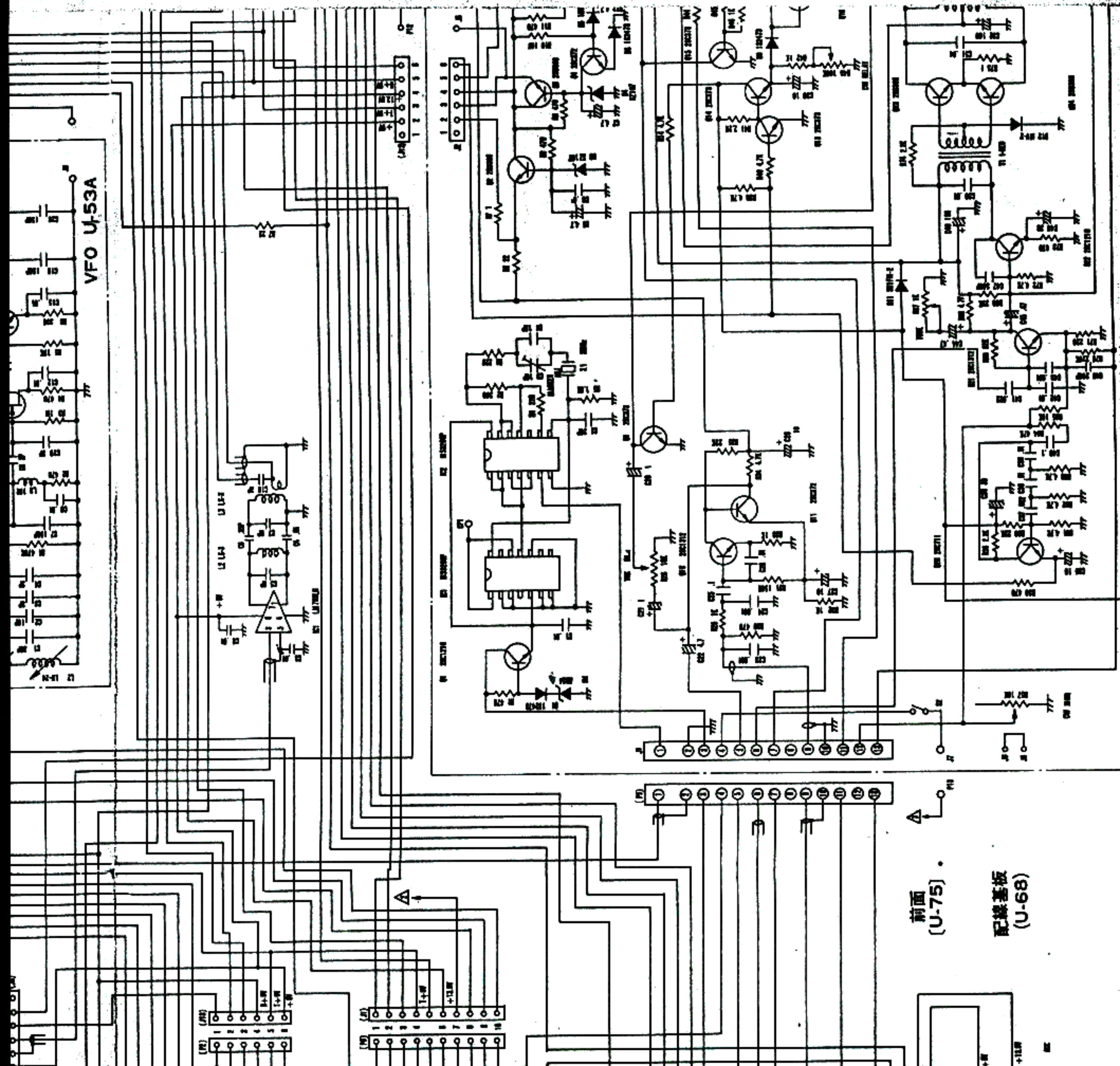
U1-U2

U1-U2

U1-U2

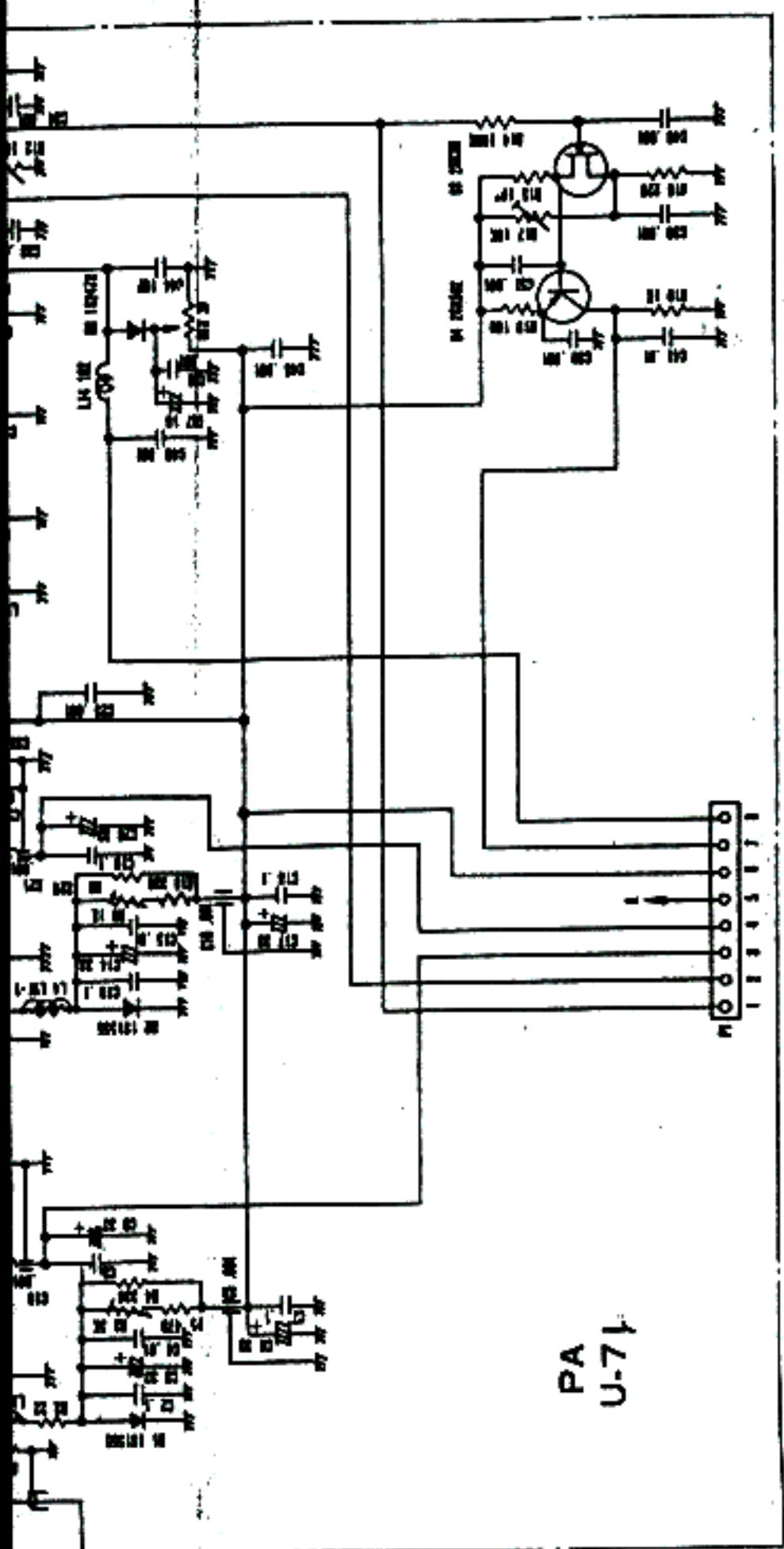
U1-U2



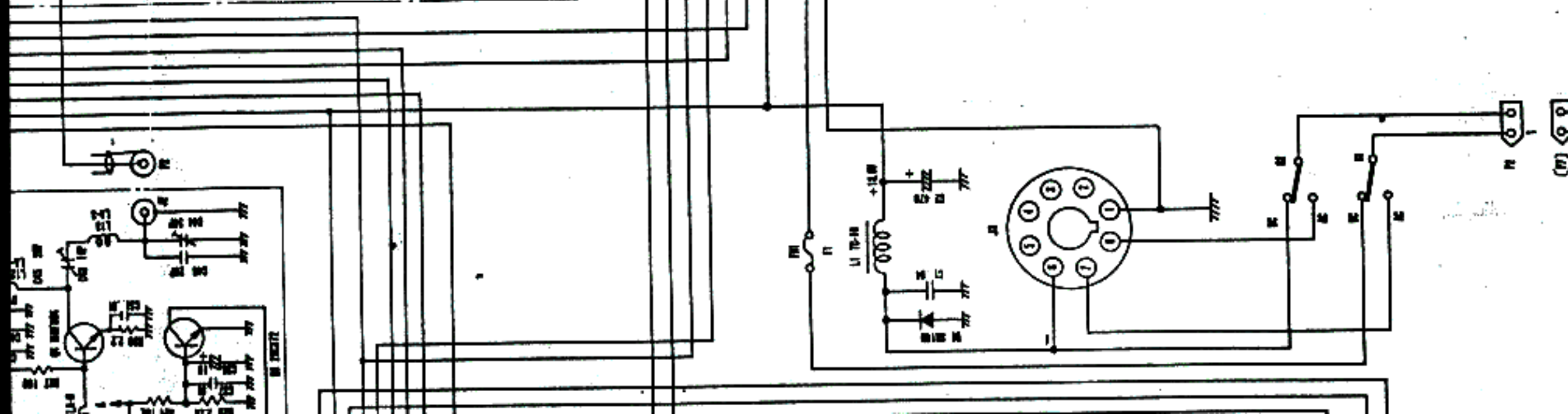
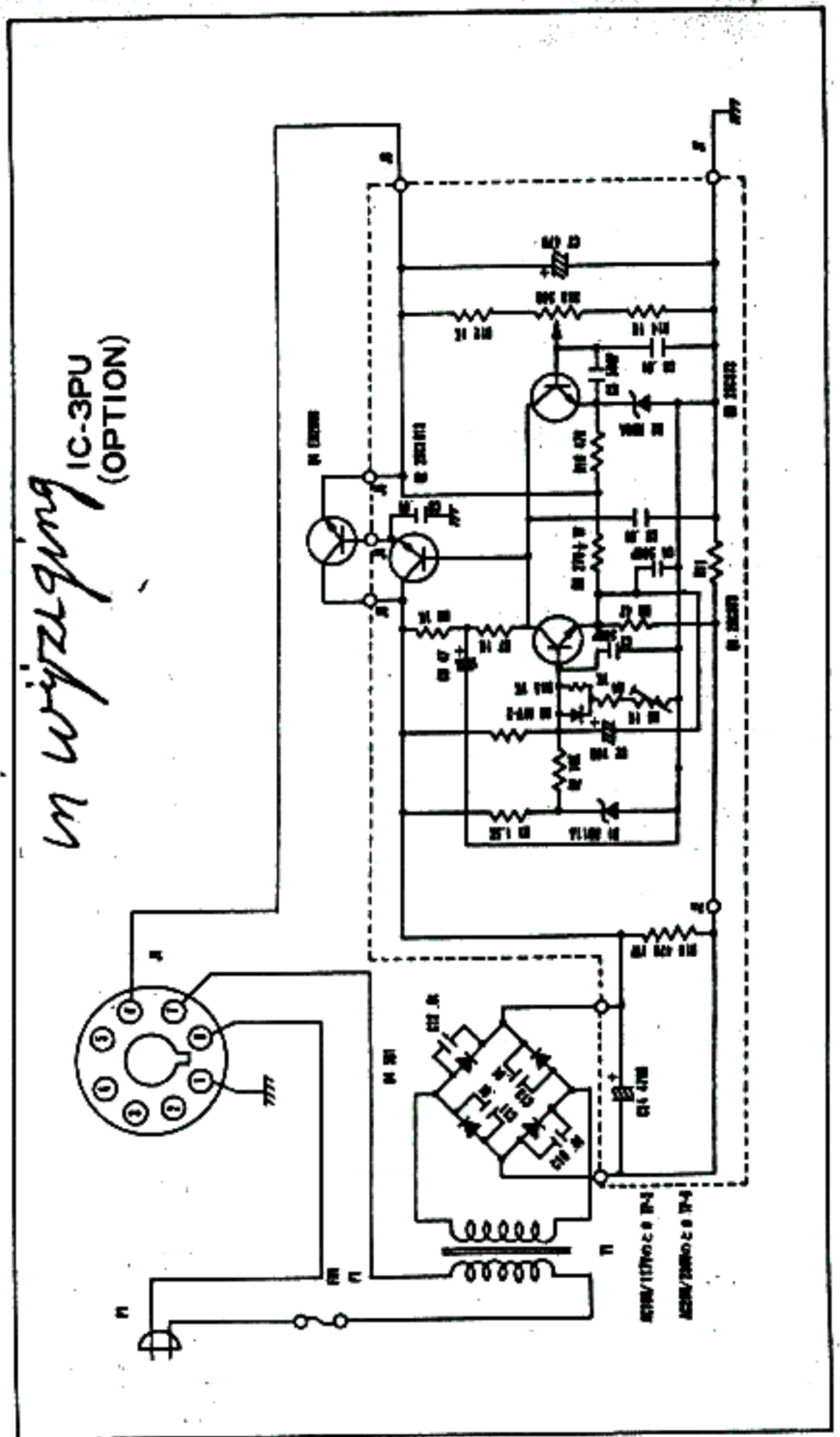
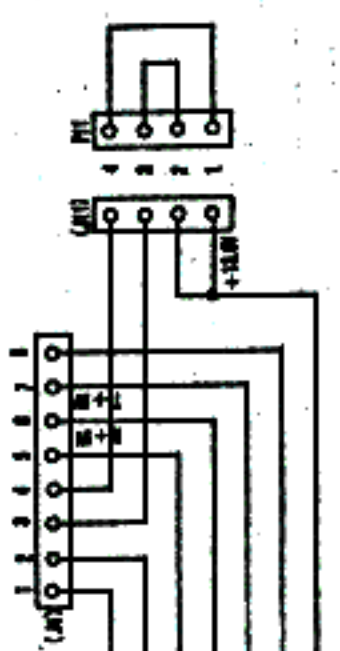


前面
[U-75] .
配線基板
(U-68)

+12V



SCHEMATHEEK
 Beh. T. Hultermans
 Postbus 4228
 5604 EE Eindhoven



IC-201 SCHEMATIC DIAGRAM