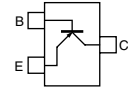
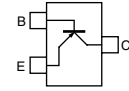
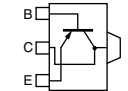
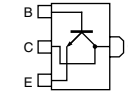
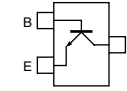
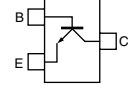
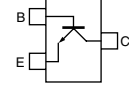
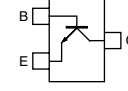
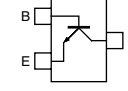
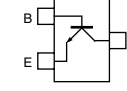
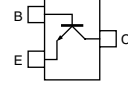
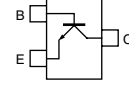
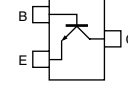
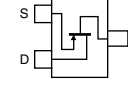
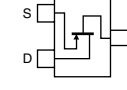
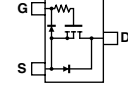
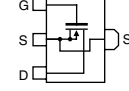
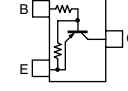
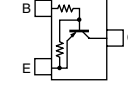
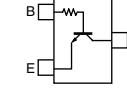
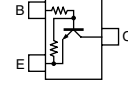
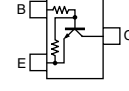
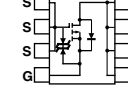
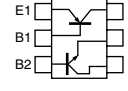


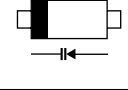
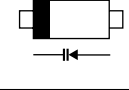
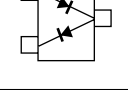
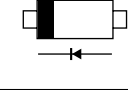
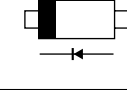
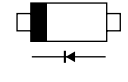
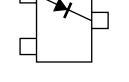
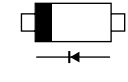
UNIT abbreviation (C): CHASSIS PARTS, (RF): RF UNIT, (M): MAIN UNIT

SECTION 8 SEMI-CONDUCTOR INFORMATION

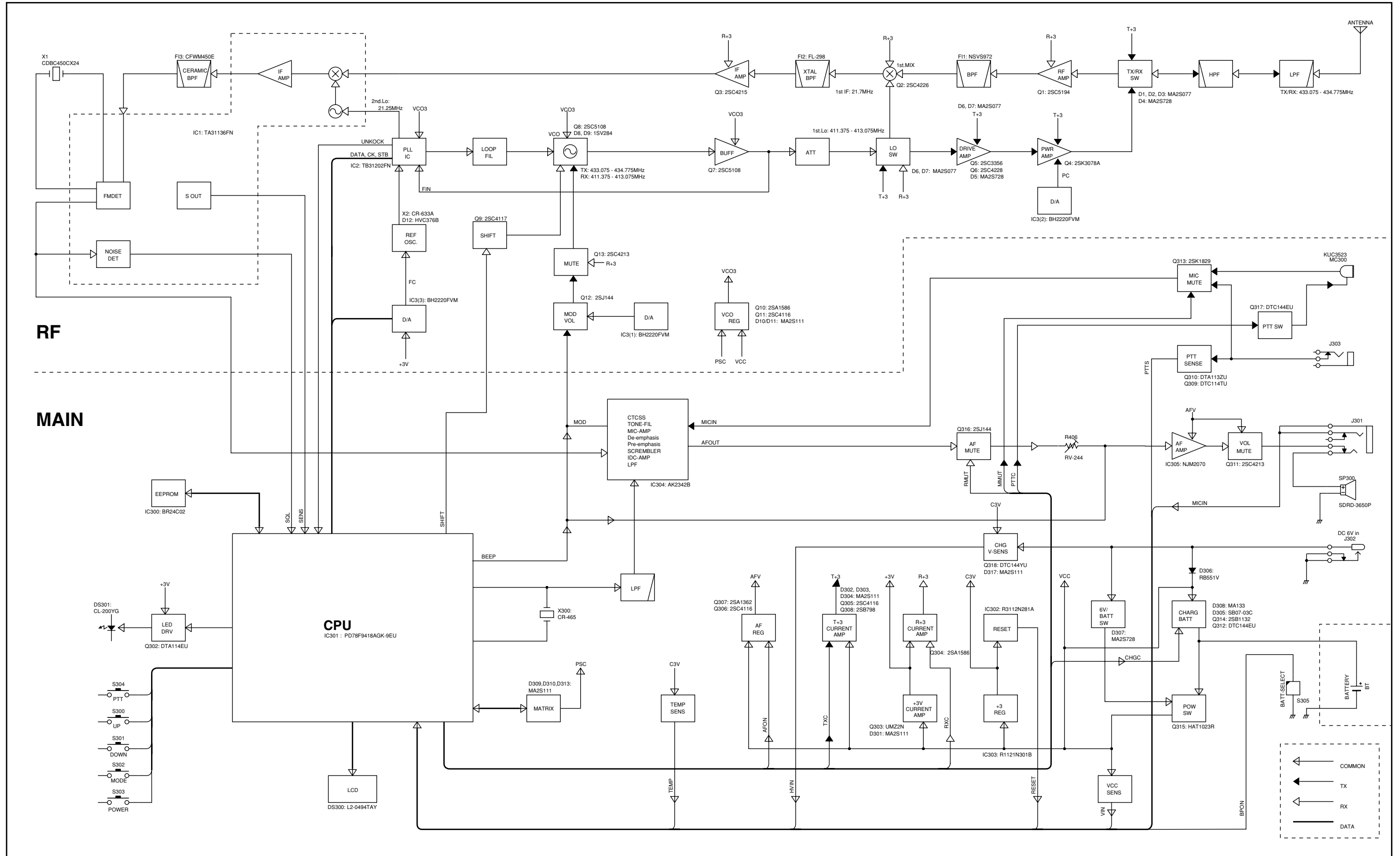
• TRANSISTOR AND FET'S

2SA1362 GR (Symbol: AEG) 	2SA1586 GR (Symbol: SG) 	2SB1132Q (Symbol: BA) 	2SB798 DK (Symbol: DK) 	2SC3356 (Symbol: R22) 
2SC4116GR (Symbol: LG) 	2SC4117GR (Symbol: DG) 	2SC4213 B (Symbol: AB) 	2SC4215 O (Symbol: QO) 	2SC4226 R25 (Symbol: R25) 
2SC4228 R44 (Symbol: R44) 	2SC5108 Y (Symbol: MC) 	2SC5194 (Symbol: T88) 	2SJ144GR (Symbol: VG) 	2SJ144 Y (Symbol: VY) 
2SK1829 (Symbol: K1) 	2SK3078A (Symbol: UW) 	DTA113ZU (Symbol: 111) 	DTA114 EU (Symbol: 16) 	DTC114TU (Symbol: 04) 
DTC114YU (Symbol: 64) 	DTC144EU (Symbol: 26) 	HAT1023R (Symbol: 1023) 	UMZ2N (Symbol: Z2) 	

• DIODES

1SV284 (Symbol: TL) 	HVC376B (Symbol: B9) 	MA133 (Symbol: MP) 	MA2S077 (Symbol: S) 	MA2S111 (Symbol: A) 
MA2S728 (Symbol: B) 	SB07-03C (Symbol: J) 	RB551V-30 (Symbol: D) 		

SECTION 10 BLOCK DIAGRAM



SECTION 11 VOLTAGE DIAGRAM

11-1 MAIN UNIT

